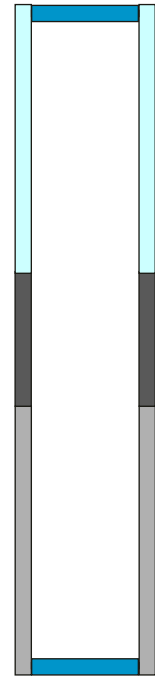
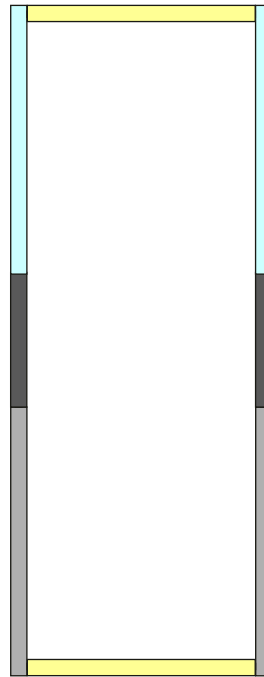
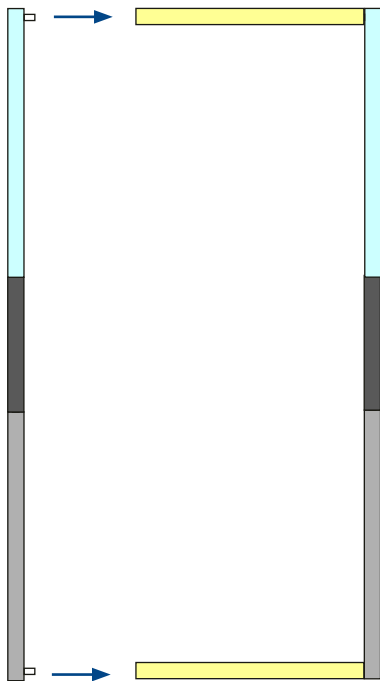
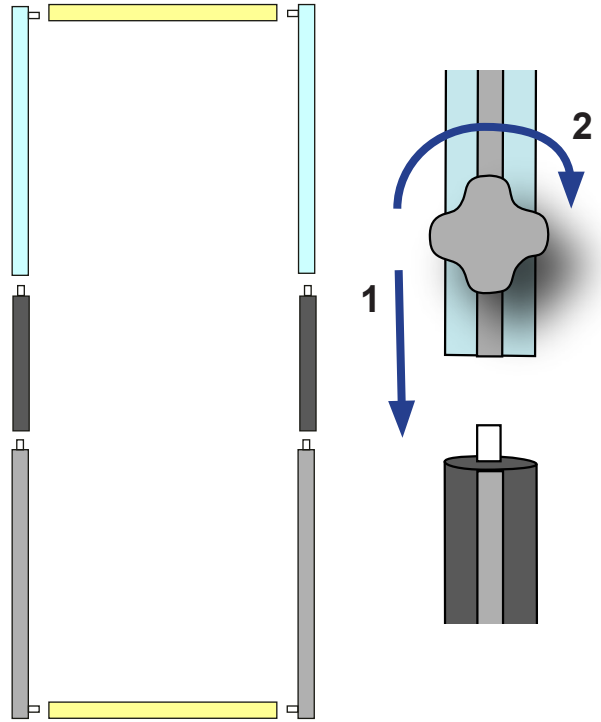
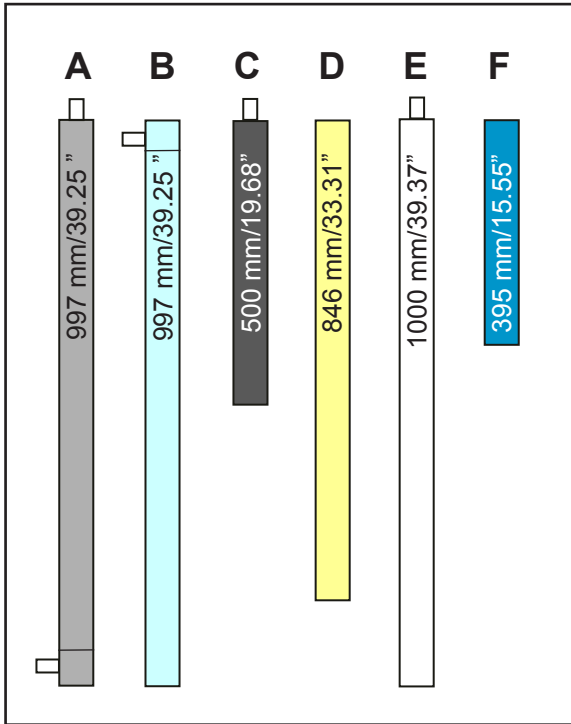


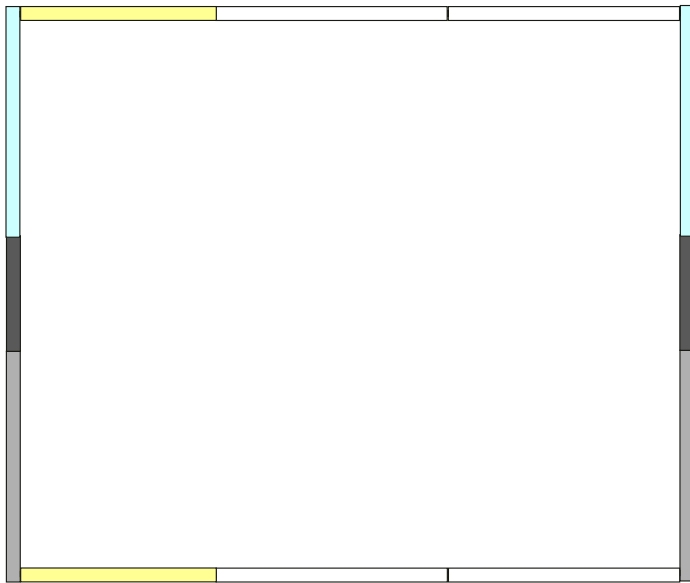
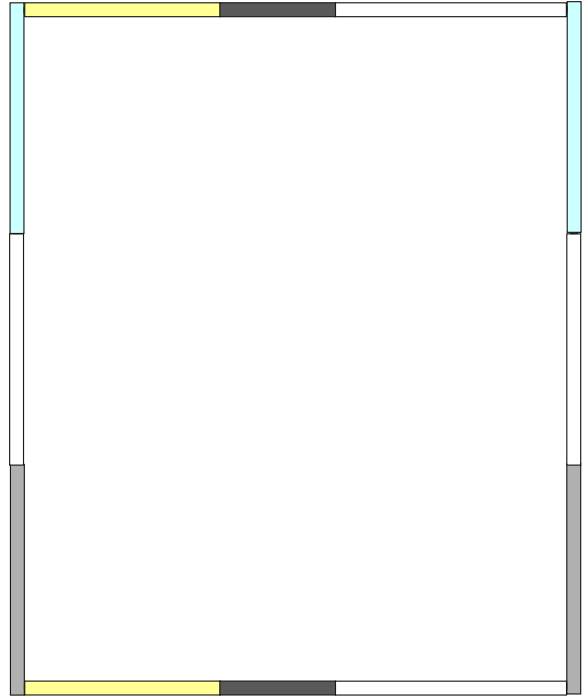
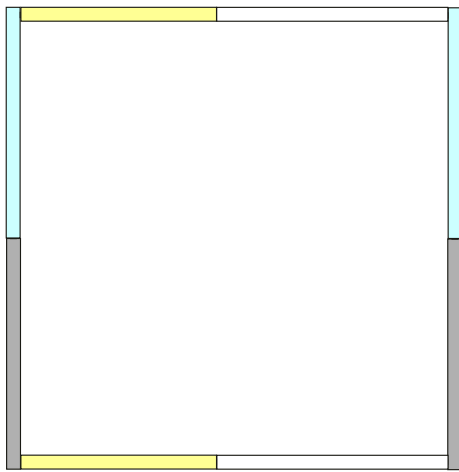
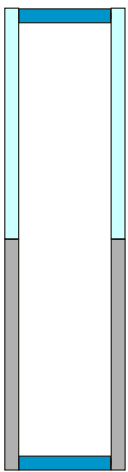
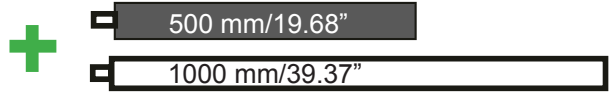
# SET UP INSTRUCTION

## Expolinc Frame

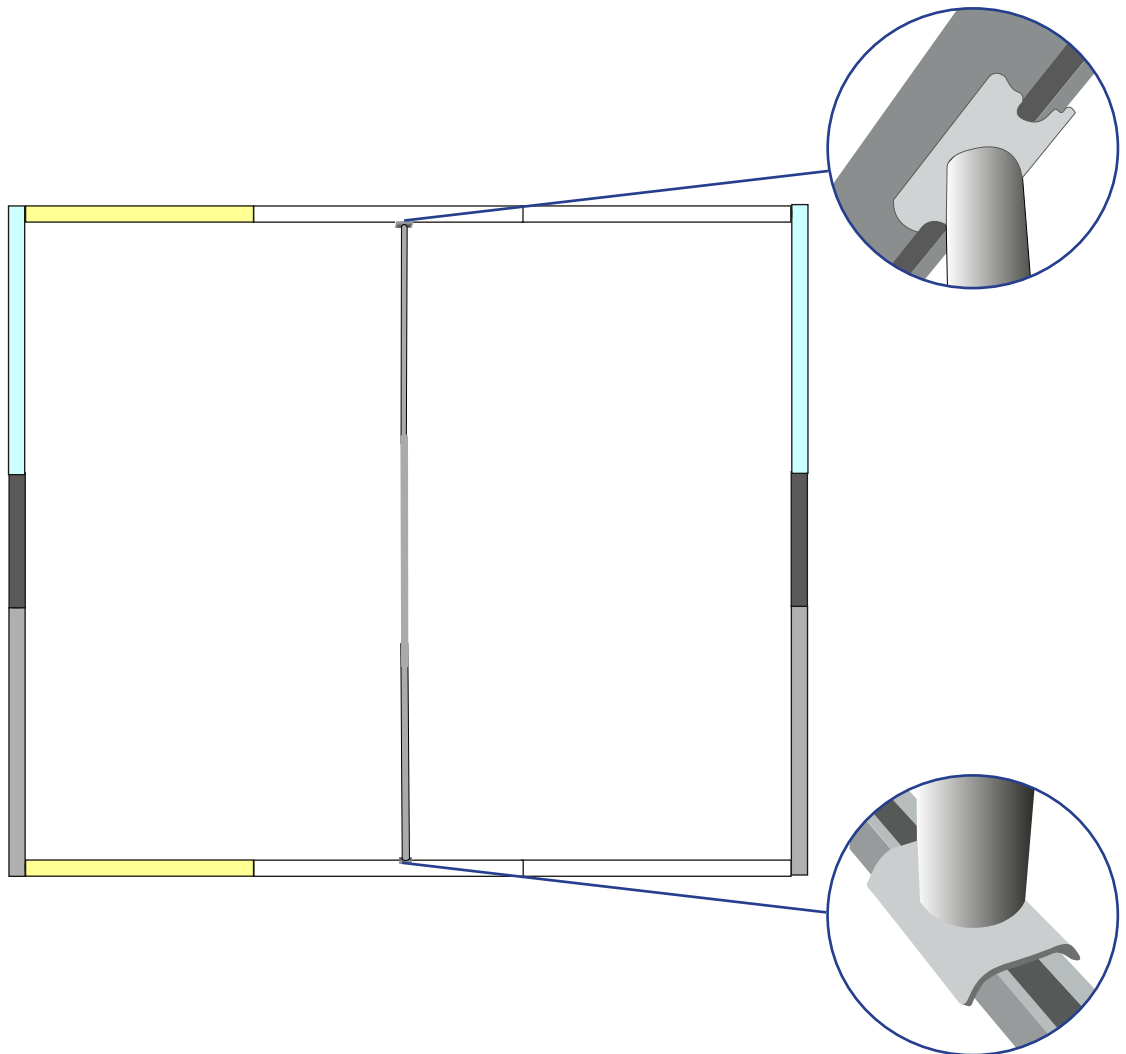
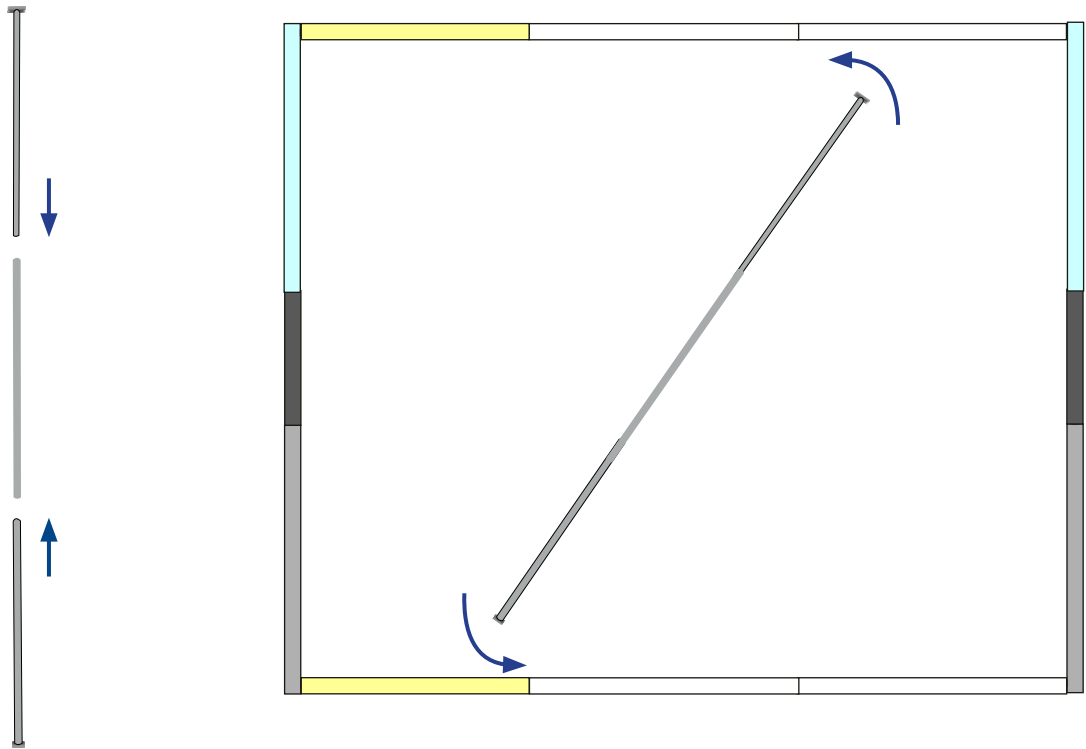
### BASIC



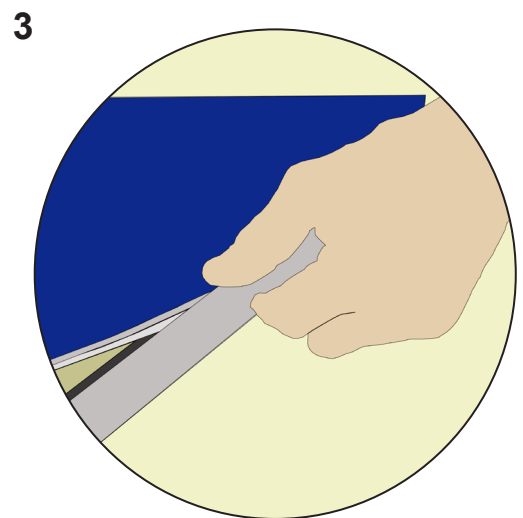
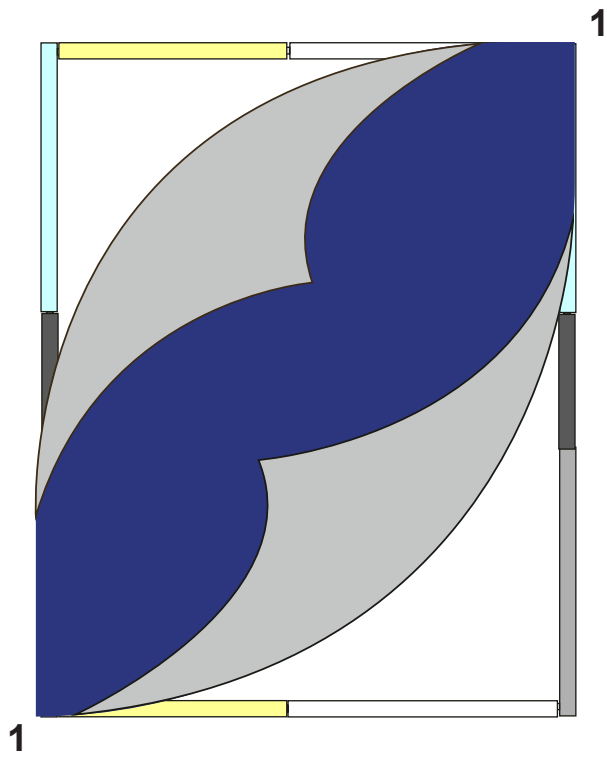
# WIDTHS & HEIGHTS



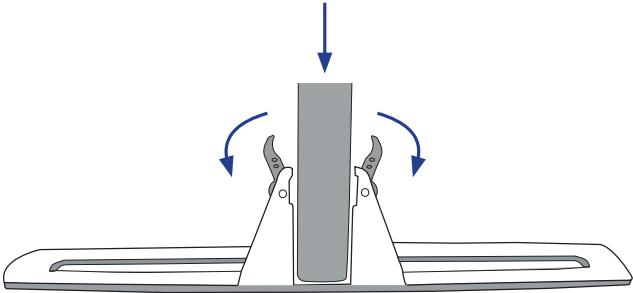
# SUPPORTING ROD



# MOUNT THE GRAPHIC

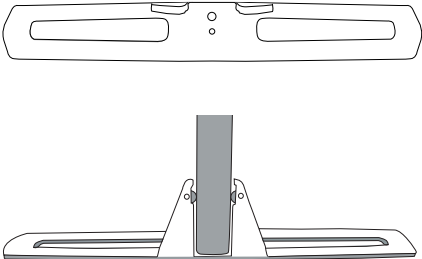


# STABILIZING FOOT

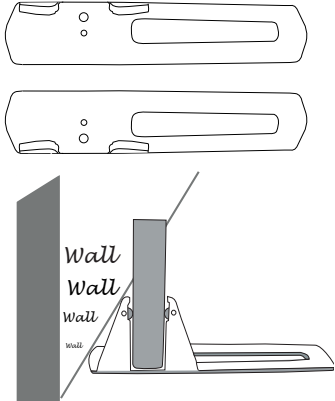


## Standard foot

Double-sided



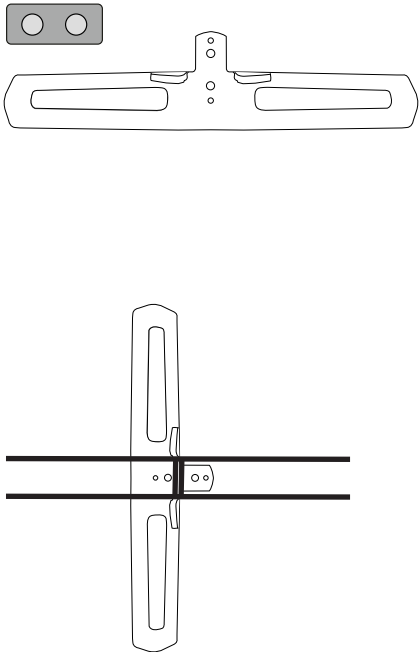
Single-sided



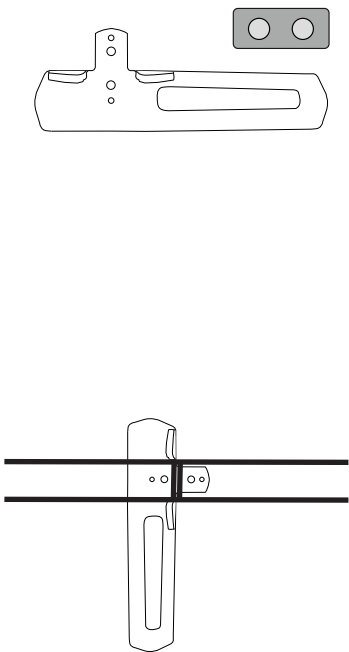
Standard foot      Standard foot

## Connecting foot

Double-sided

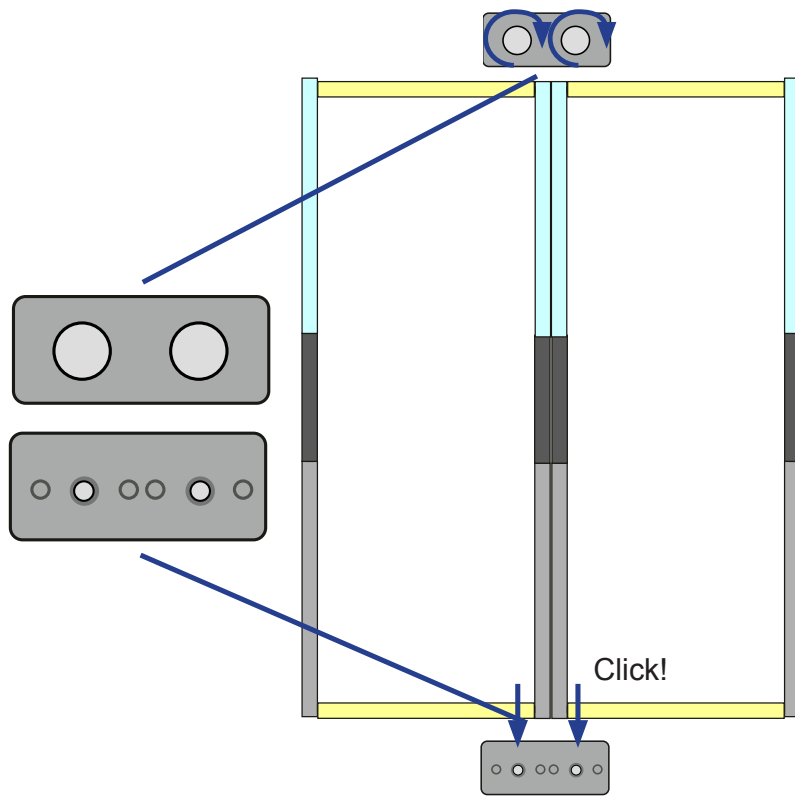


Single-sided

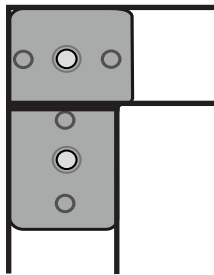


Standard foot      Connecting foot      Standard foot

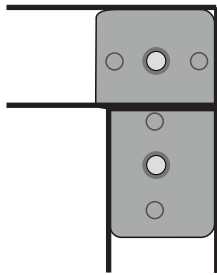
# CONNECTORS



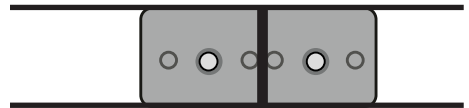
90° type A



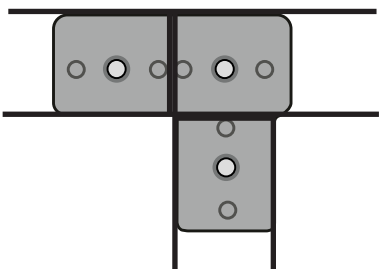
90° type B



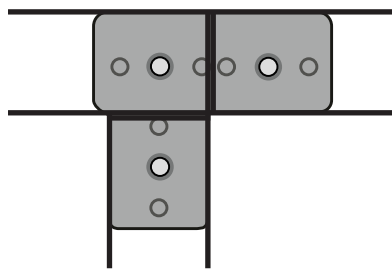
Straight



Triple A



Triple B



Triple C

