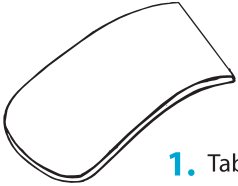
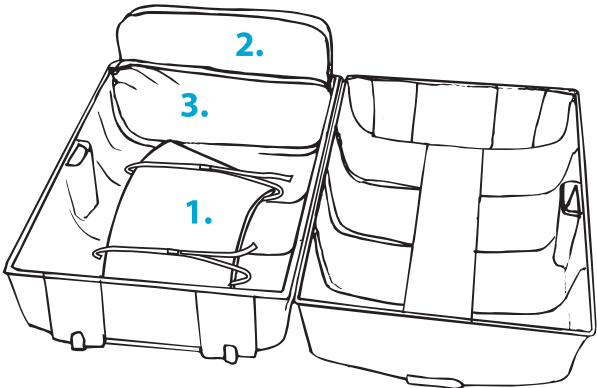
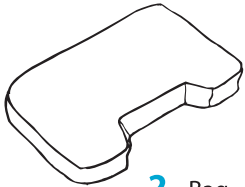


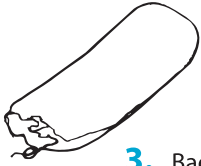
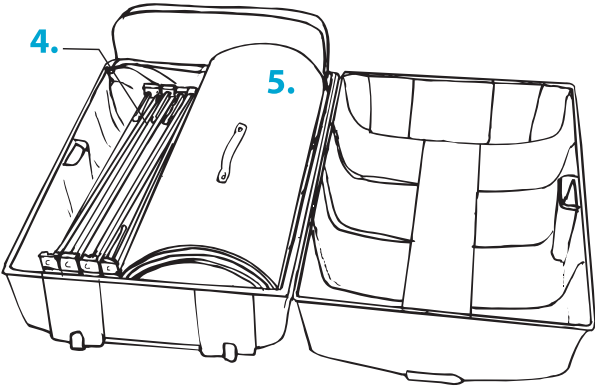
How to pack the Expand PodiumCase



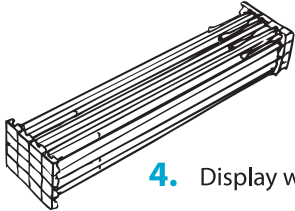
1. Table top



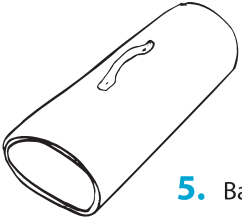
2. Bag - spot lights



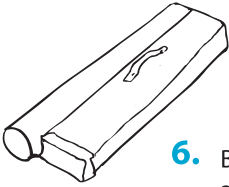
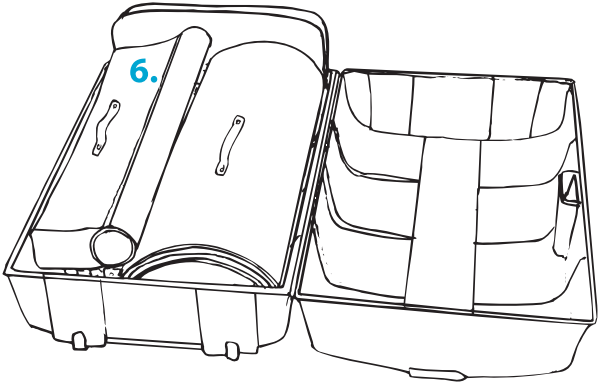
3. Bag - shelves



4. Display wall



5. Bag - graphic panels



6. Bag - magnetic bars and wrap